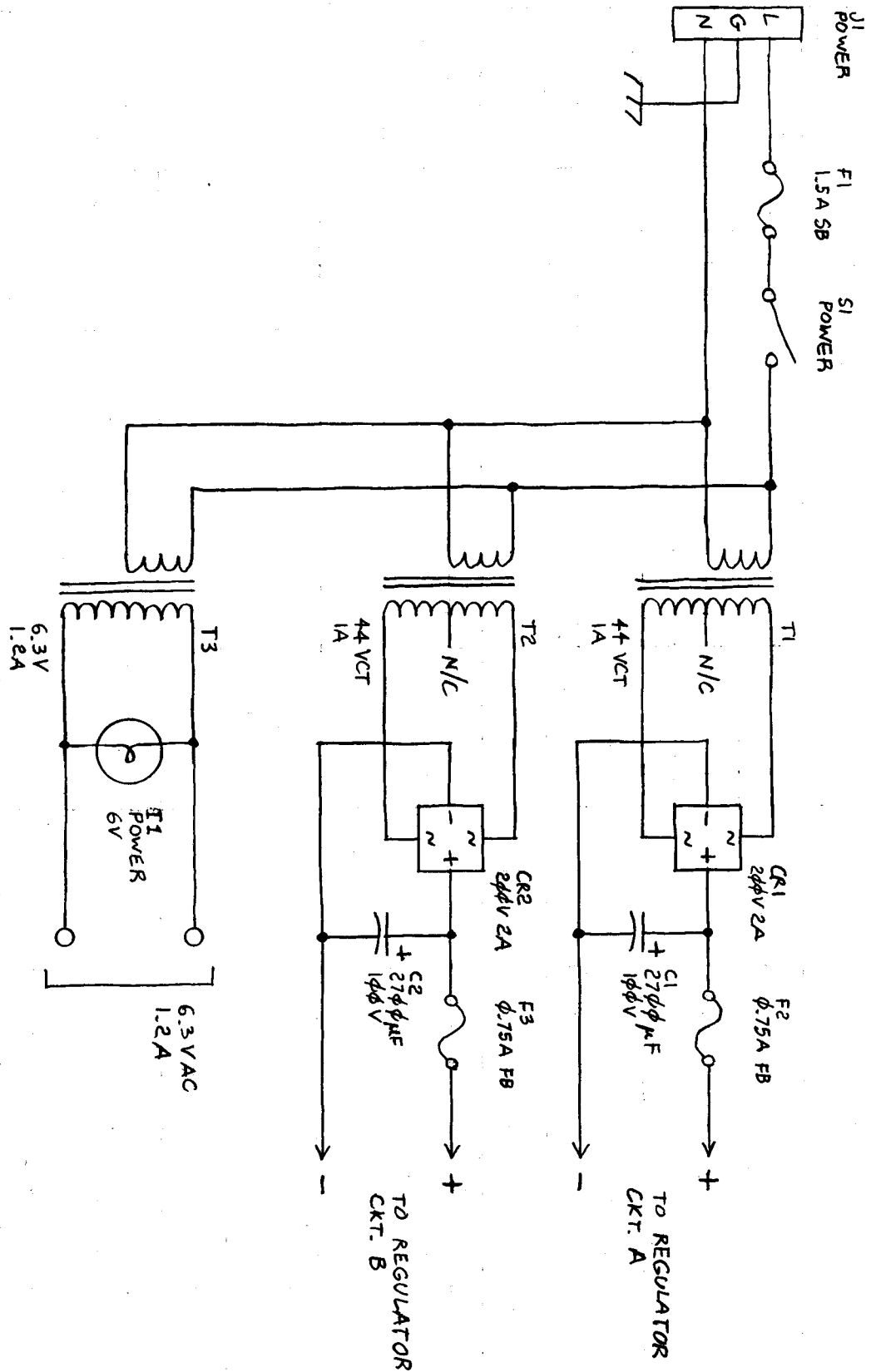
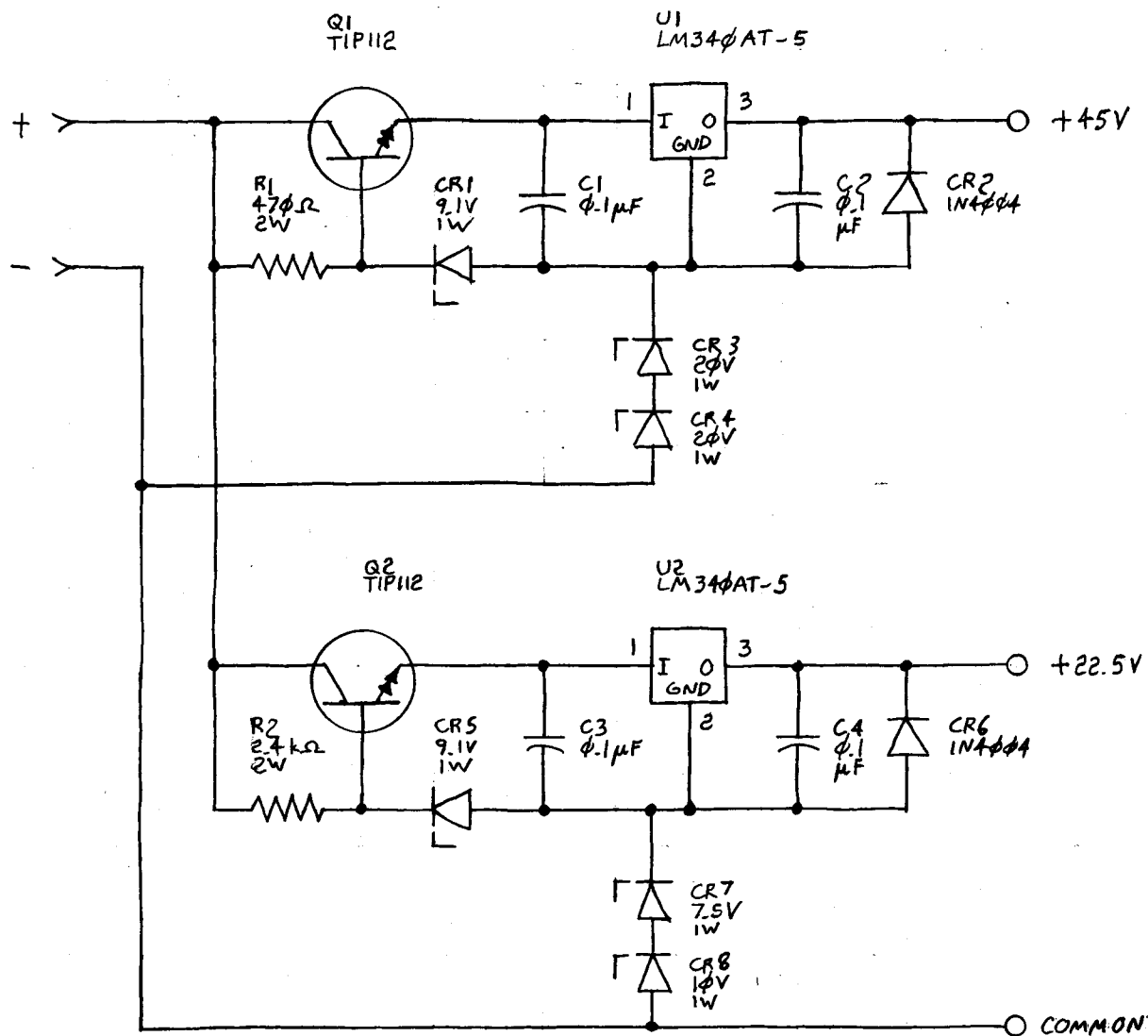


PRIMARY POWER



REGULATOR CIRCUITS  
(A AND B IDENTICAL)

No. 937 811E  
Engineer's Computation Pad  
STAEDTLER®



JEDEC TO-22φ



B C E



1 2 3