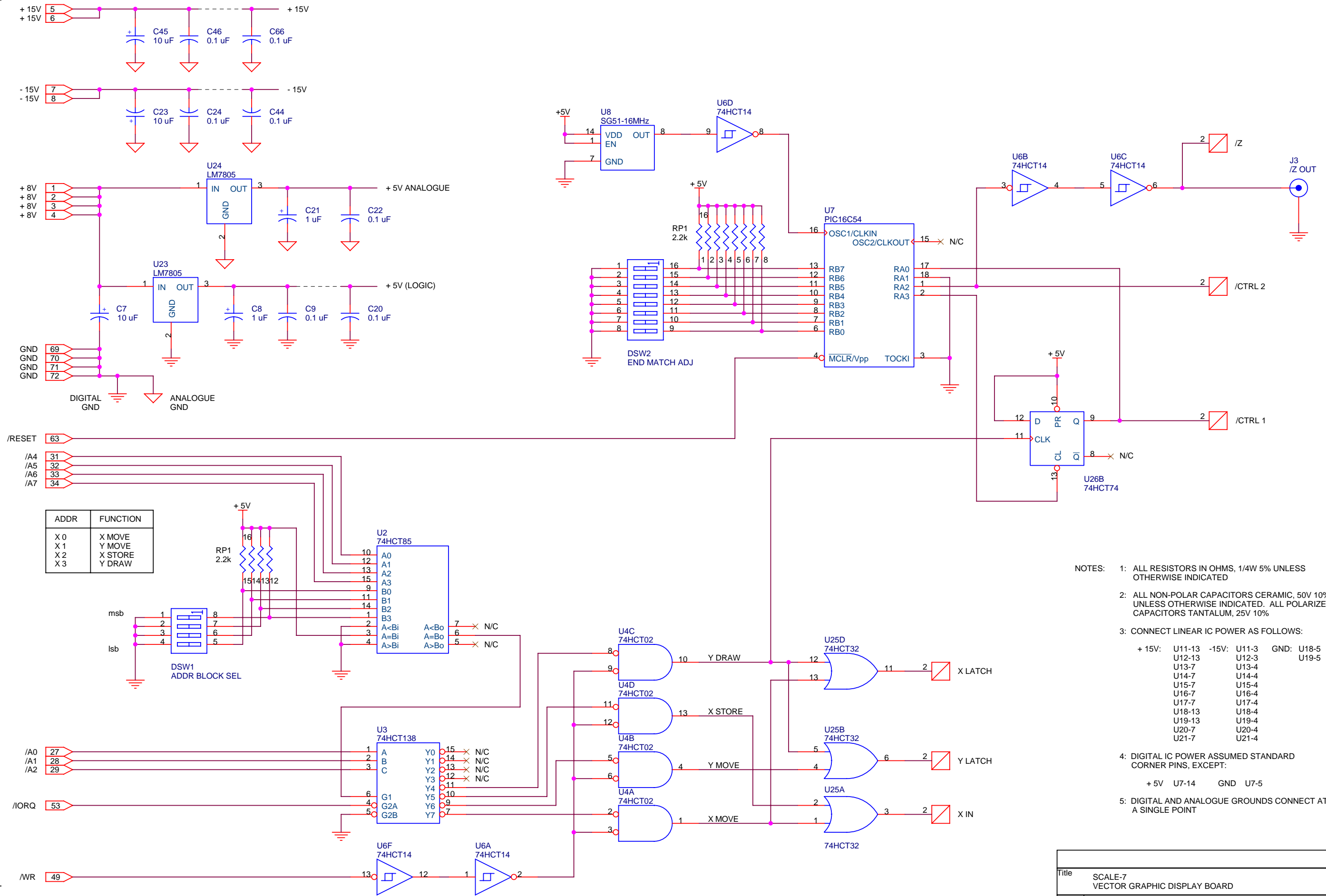


PCB EDGE CONNECTOR



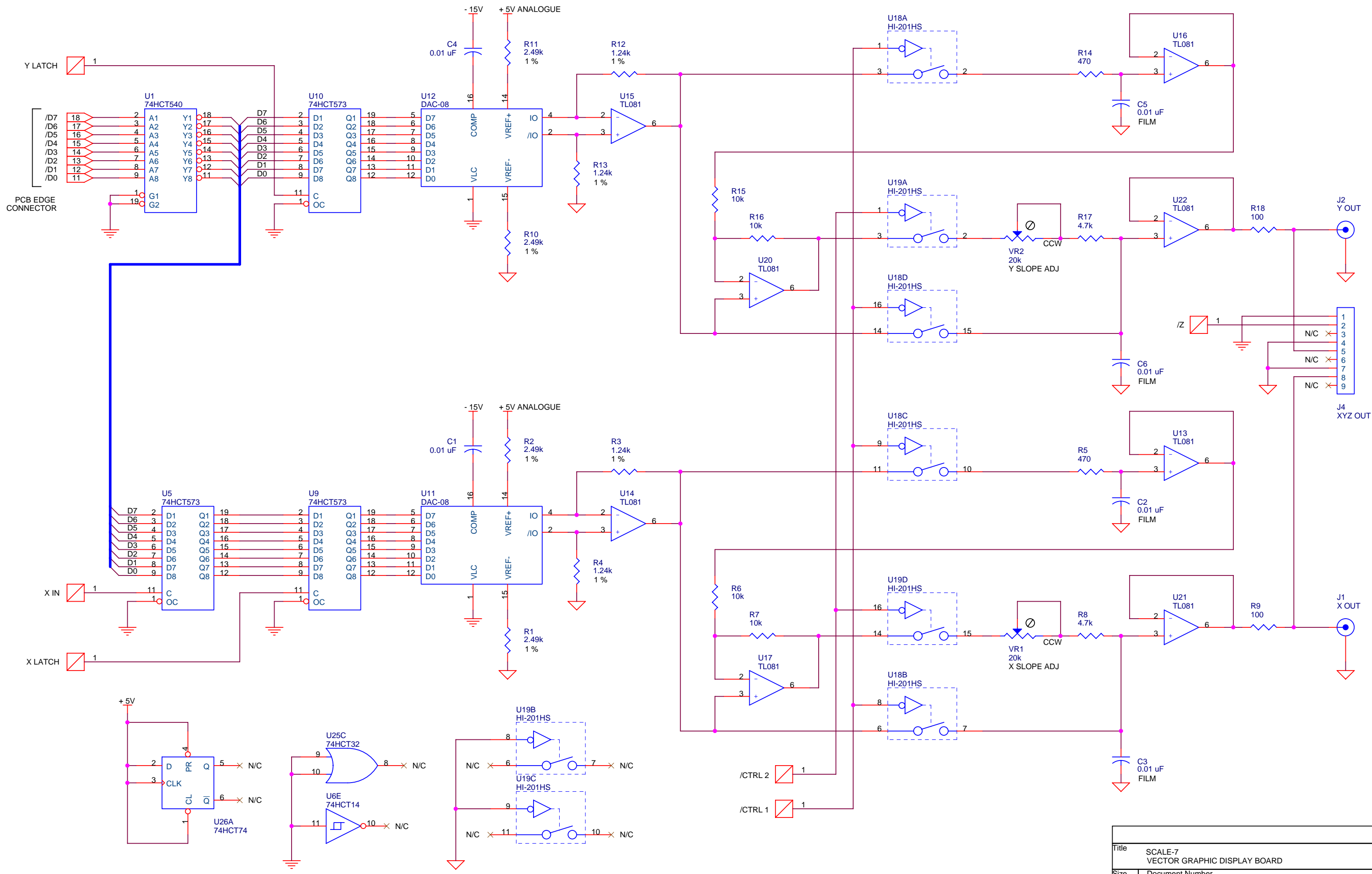
ADDR	FUNCTION
X 0	X MOVE
X 1	Y MOVE
X 2	X STORE
X 3	Y DRAW

- NOTES:
- 1: ALL RESISTORS IN OHMS, 1/4W 5% UNLESS OTHERWISE INDICATED
 - 2: ALL NON-POLAR CAPACITORS CERAMIC, 50V 10% UNLESS OTHERWISE INDICATED. ALL POLARIZED CAPACITORS TANTALUM, 25V 10%
 - 3: CONNECT LINEAR IC POWER AS FOLLOWS:

+ 15V:	U11-13	-15V:	U11-3	GND:	U18-5
	U12-13		U12-3		U19-5
	U13-7		U13-4		
	U14-7		U14-4		
	U15-7		U15-4		
	U16-7		U16-4		
	U17-7		U17-4		
	U18-13		U18-4		
	U19-13		U19-4		
	U20-7		U20-4		
	U21-7		U21-4		
 - 4: DIGITAL IC POWER ASSUMED STANDARD CORNER PINS, EXCEPT:

+ 5V	U7-14	GND	U7-5
------	-------	-----	------
 - 5: DIGITAL AND ANALOGUE GROUNDS CONNECT AT A SINGLE POINT

Title		SCALE-7 VECTOR GRAPHIC DISPLAY BOARD	
Size	Document Number	DE000038	
Date:	Thursday, August 12, 2004	Sheet	1 of 2
		Rev	1.0



Title		SCALE-7 VECTOR GRAPHIC DISPLAY BOARD
Size	Document Number	DE000038
Date:	Thursday, August 12, 2004	Sheet 2 of 2
		Rev 1.0