

NOTES:

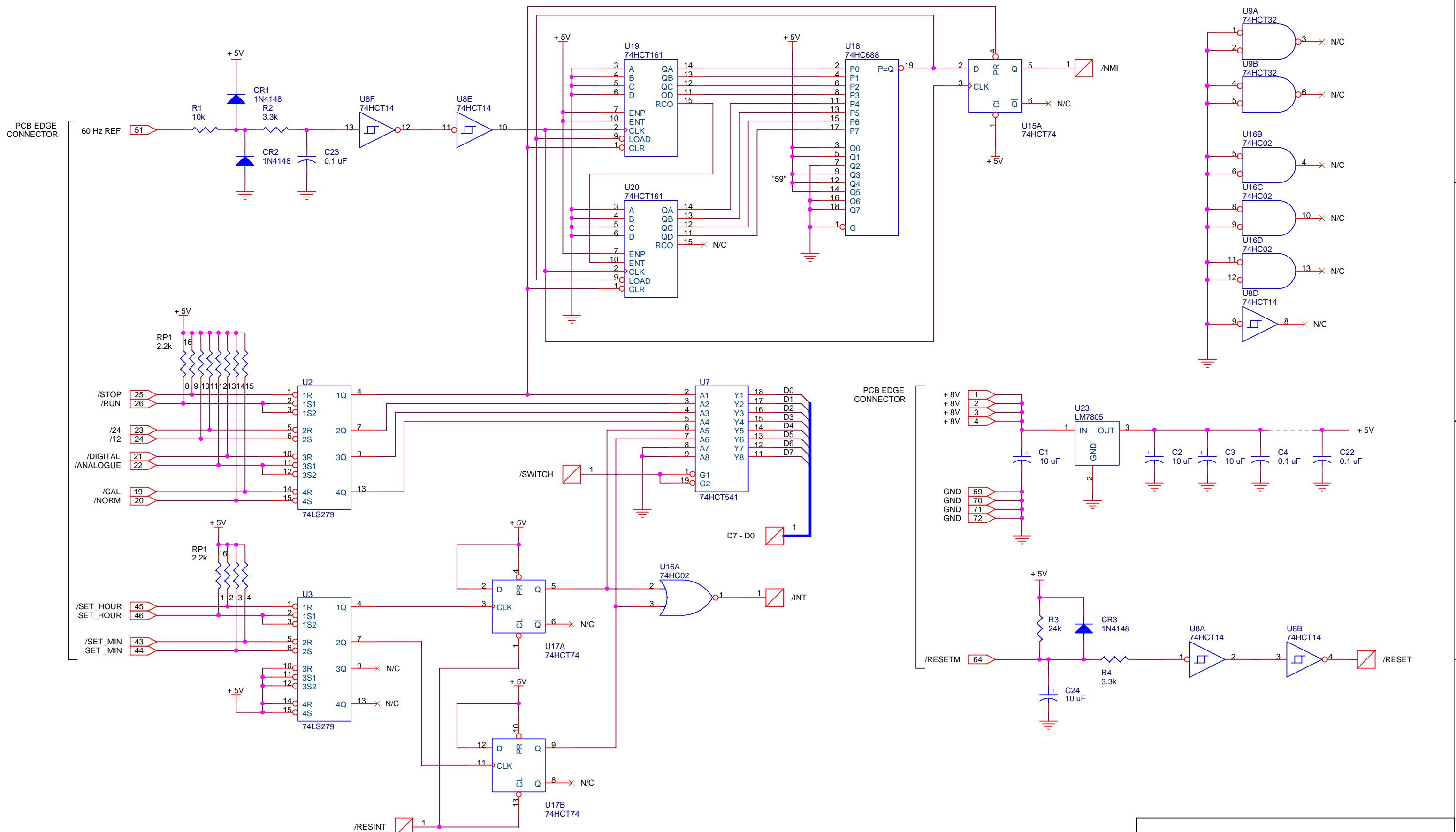
- 1: ALL RESISTORS IN OHMS, 1/4W 5%
- 2: ALL NON-POLAR CAPACITORS CERAMIC, 50V 10%  
ALL POLARIZED CAPACITORS TANTALUM, 25V 10%
- 3: DIGITAL IC POWER ASSUMED STANDARD  
CORNER PINS, EXCEPT:  
+5V U11-11 GND U11-29

Title		
VECTOR CLOCK CONTROL COMPUTER		
Size	Document Number	Rev
	DE000021	1.0
Date:	Tuesday, November 09, 2004	Sheet 1 of 2

PCB EDGE CONNECTOR

/A7  
/A6  
/A5  
/A4  
/A3  
/A2  
/A1  
/A0

/RESET  
/IORQ  
/WR



Title		
VECTOR CLOCK CONTROL COMPUTER		
Size	Document Number	Rev
	DE000021	1.0
Date:	Tuesday, November 09, 2004	Sheet 2 of 2