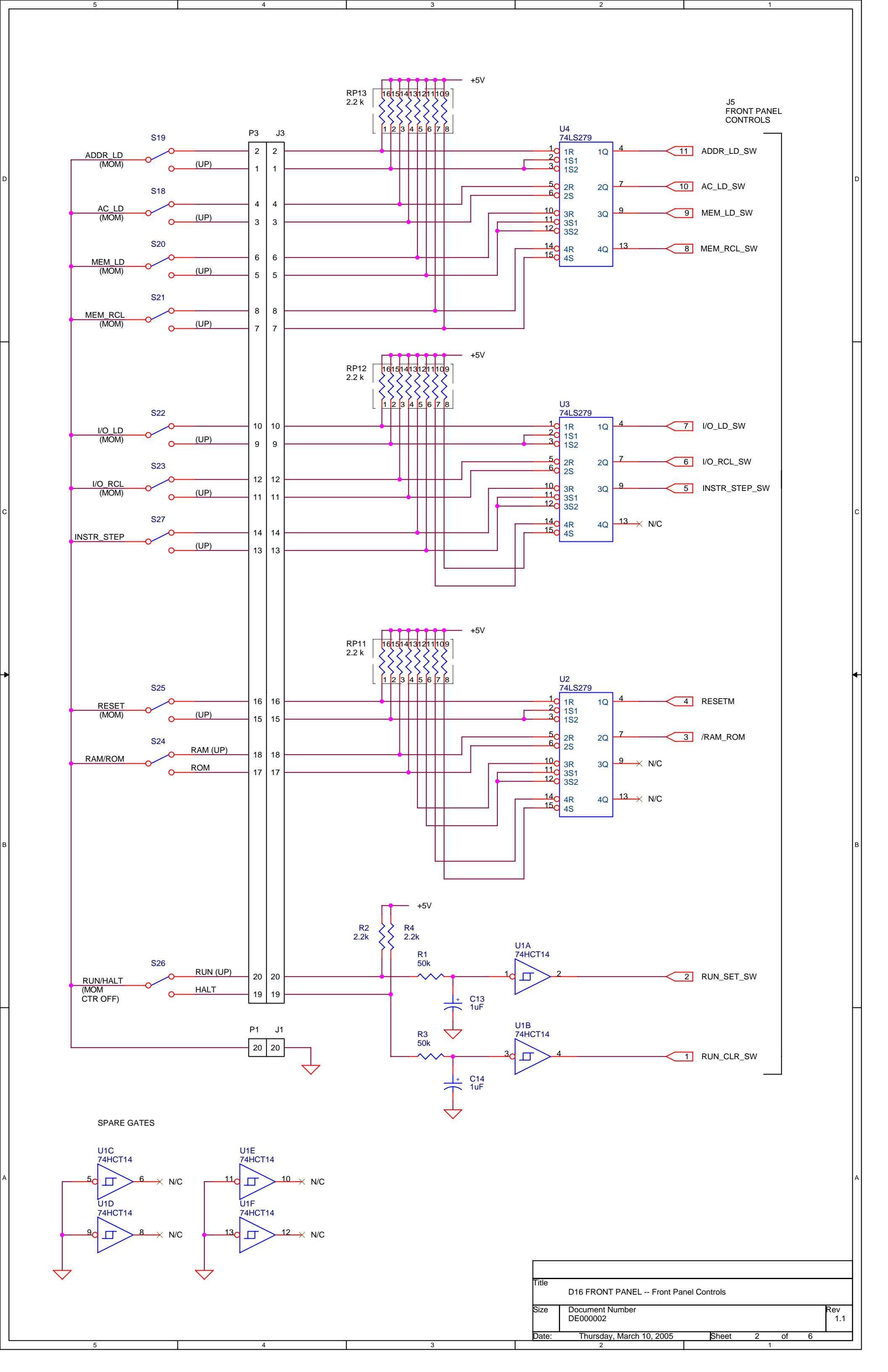
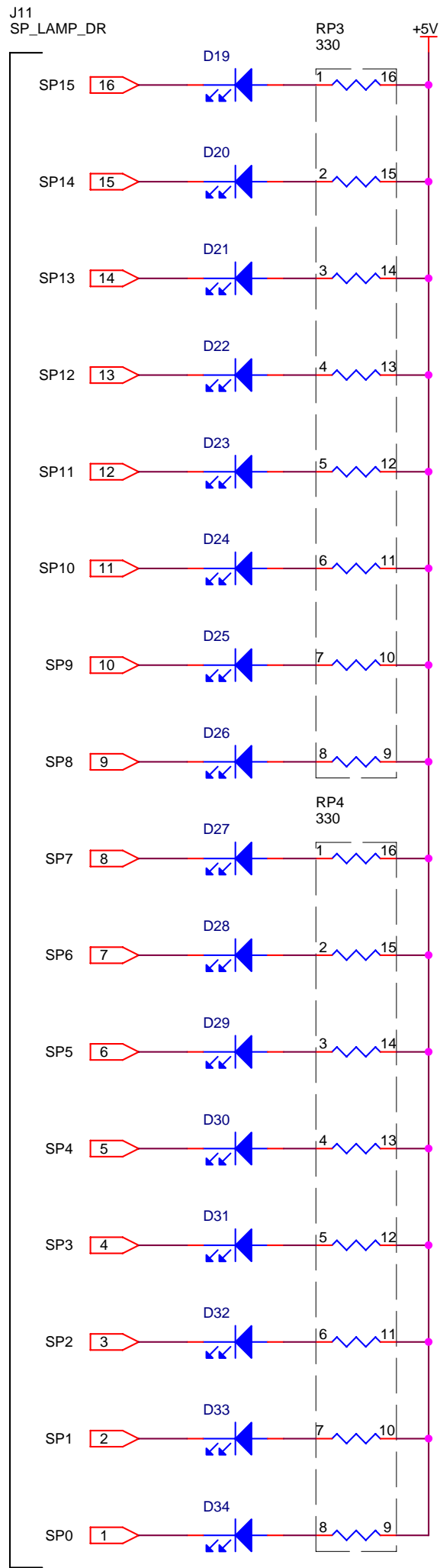
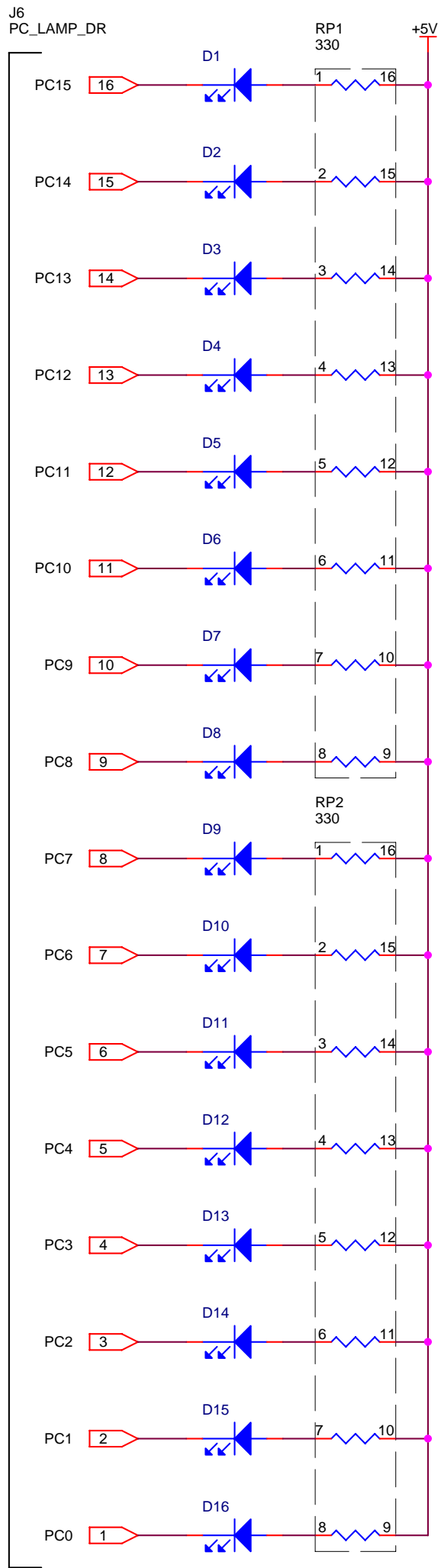


DRAWING NOTES/REVISIONS ON SHEET 6

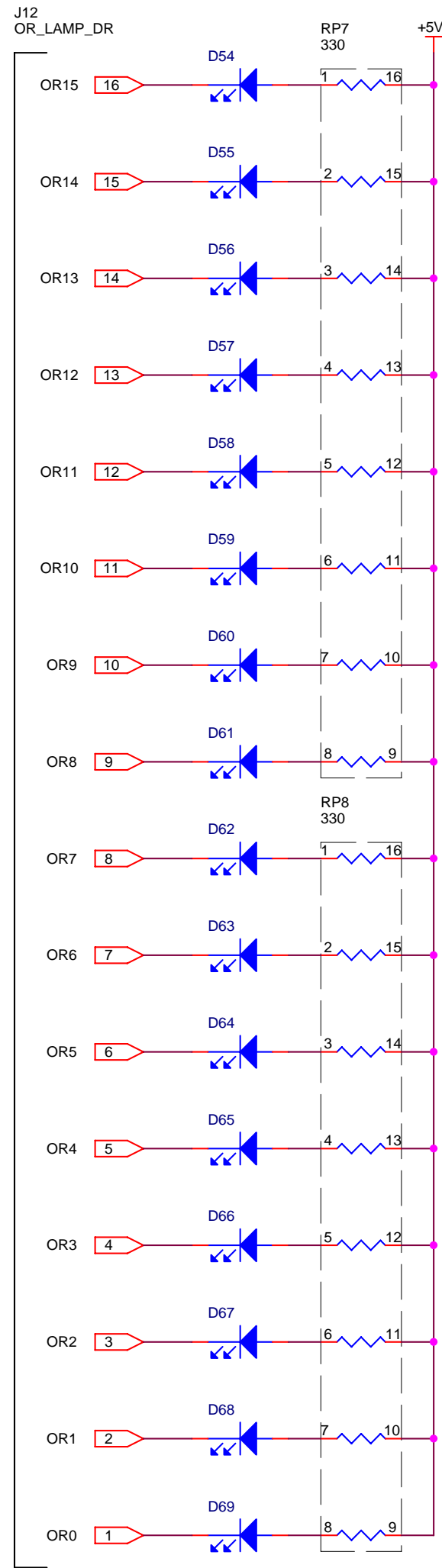
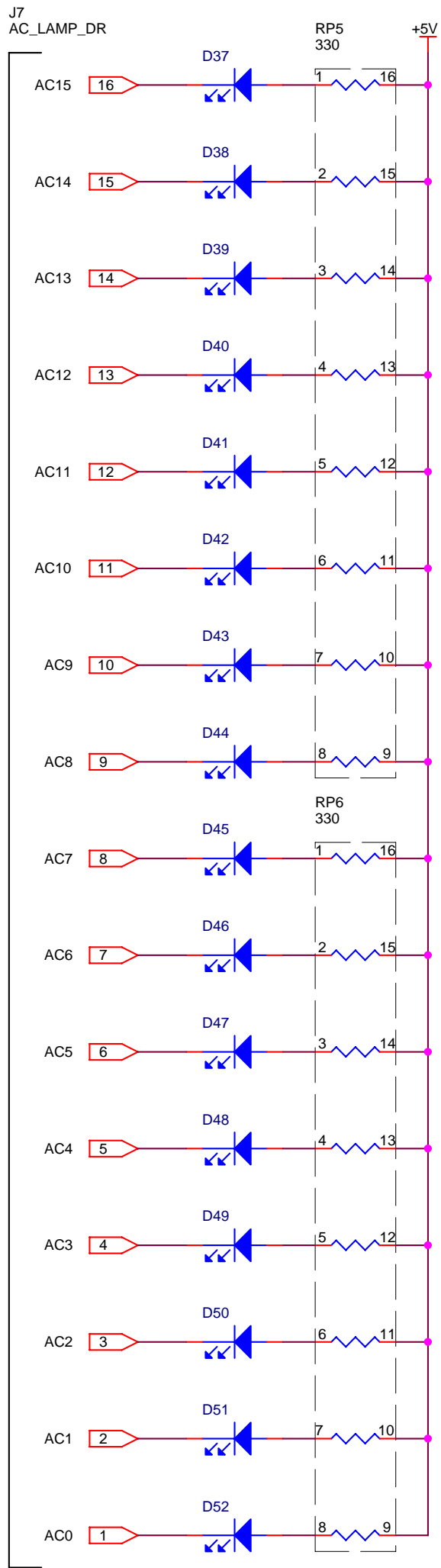
Title		
D16 FRONT PANEL -- Switch Register		
Size	Document Number	Rev
	DE000002	1.1
Date:	Friday, March 11, 2005	Sheet 1 of 6



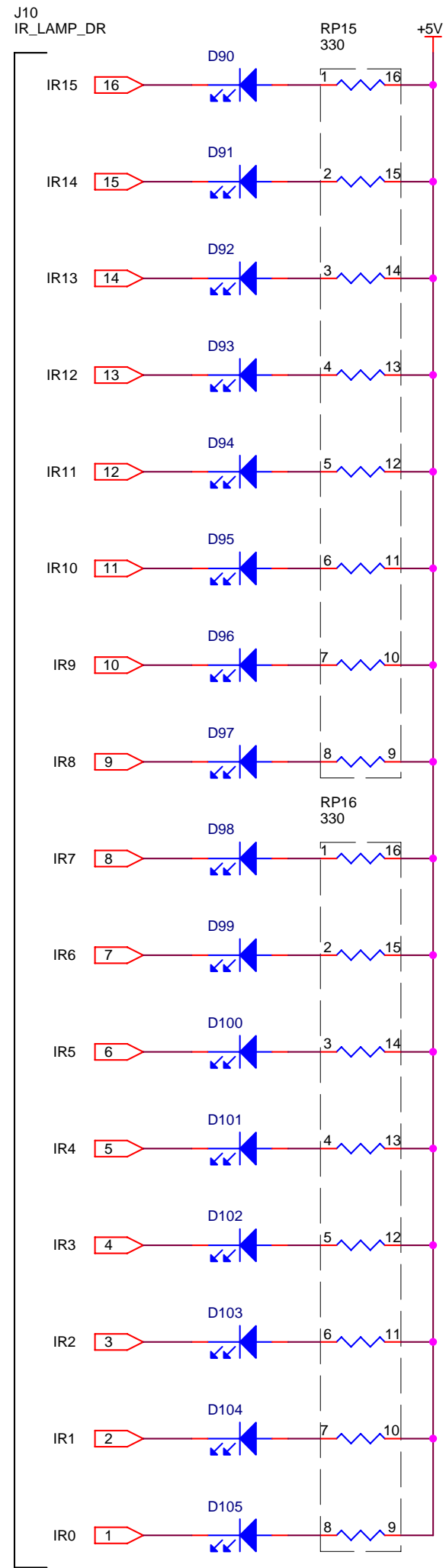
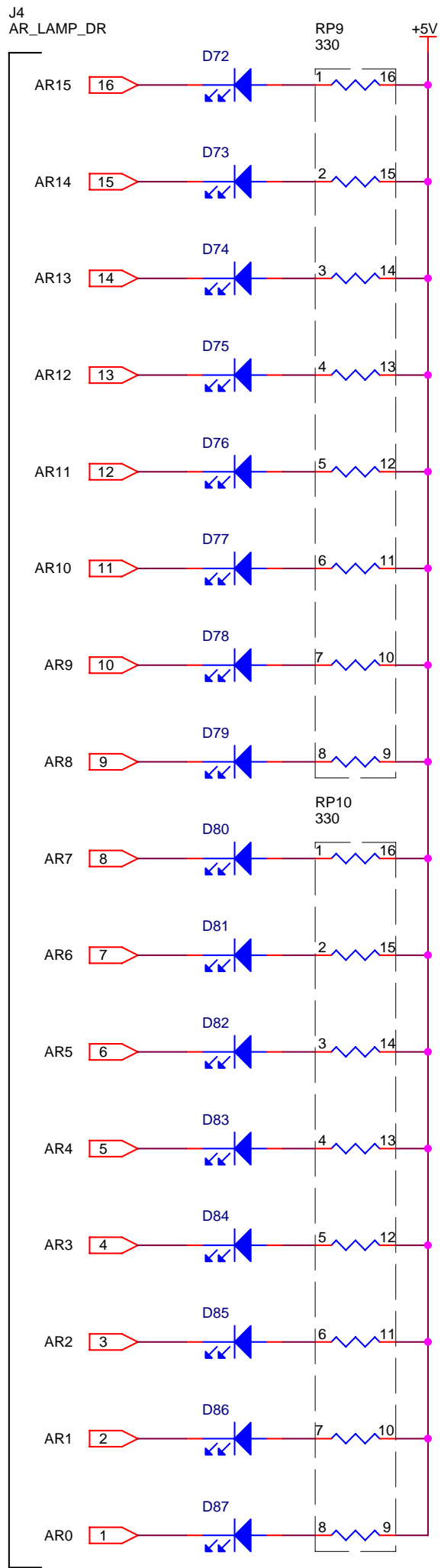
Title		
D16 FRONT PANEL -- Front Panel Controls		
Size	Document Number	Rev
	DE000002	1.1
Date:	Thursday, March 10, 2005	Sheet 2 of 6



Title		
D16 FRONT PANEL -- Program Counter Register Display Stack Pointer Register Display		
Size	Document Number	Rev
	DE000002	1.1
Date:	Thursday, March 10, 2005	Sheet 3 of 6



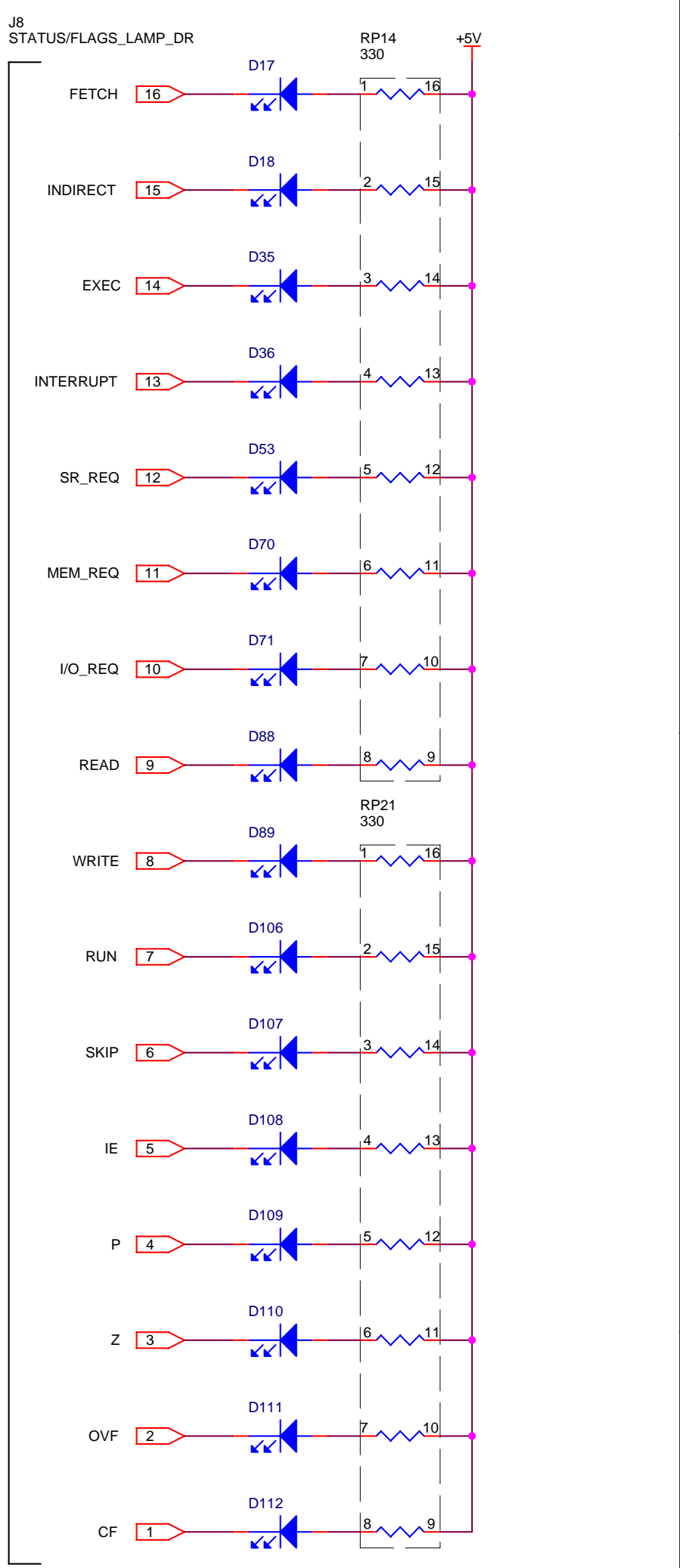
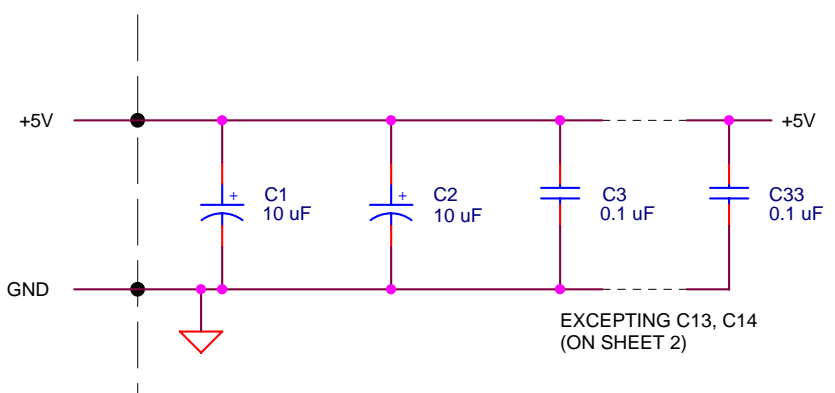
Title		
D16 FRONT PANEL -- Accumulator Register Display Operand Register Display		
Size	Document Number	Rev
	DE000002	1.1
Date:	Thursday, March 10, 2005	Sheet 4 of 6



Title		
D16 FRONT PANEL -- Address Register Display Instruction Register Display		
Size	Document Number DE000002	Rev 1.1
Date:	Thursday, March 10, 2005	Sheet 5 of 6

REV	DATE	CHANGES
1.0	02/08/02	BASIC COMPLETED DESIGN *FIRST PUBLISHED REVISION* (MIS-MARKED V. "00")
1.1	03/11/05	"AS BUILT" CHANGE; SWITCHES S19 - S27 WERE GROUNDED THROUGH CONN P2, NOW CONNECTED THROUGH CONN P1 ALONG WITH SWITCHES S24 - S26  MINOR DRAWING CLEANUP

NOTES: 1: ALL RESISTORS IN OHMS, 1/4W 5%  
2: ALL CAPACITORS IN MICROFARADS  
ALL POLAR CAPACITORS TANTALUM, 25V 10%  
ALL NON-POLAR CAPACITORS CERAMIC, 50V 10%



Title D16 FRONT PANEL -- Processor Status/Flags Display Power Distribution		
Size	Document Number DE000002	Rev 1.1
Date:	Tuesday, March 15, 2005	Sheet 6 of 6