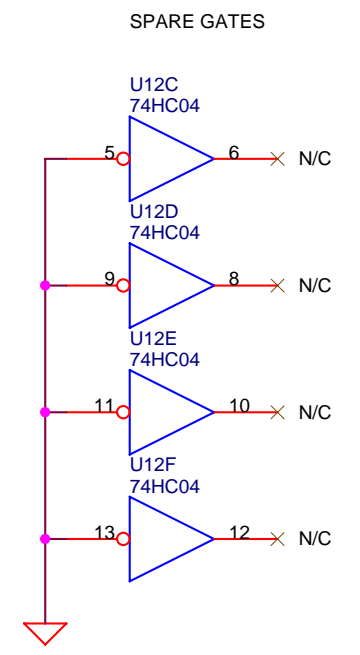
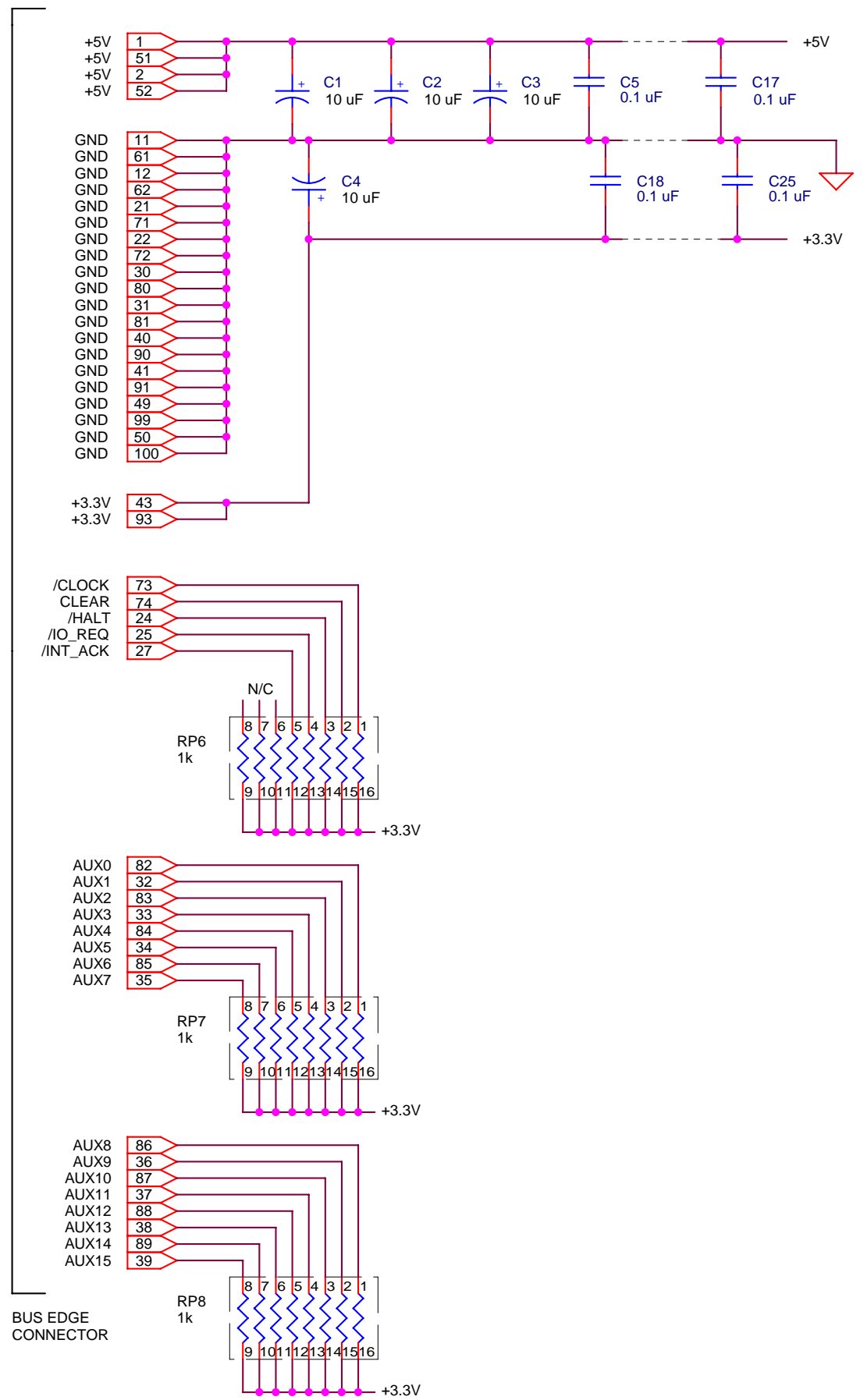


DRAWING NOTES/REVISIONS ON SHEET 2

Title		
D16 Main Memory and Bus Terminator Module		
Size	Document Number	Rev
B	DE000003	1.2
Date:	Thursday, June 23, 2005	Sheet 1 of 2



REV	DATE	CHANGES
1.0	02/03/03	BASIC COMPLETED DESIGN *FIRST PUBLISHED REVISION* (MIS-MARKED V. "00")
1.1	03/11/05	MINOR DRAWING CLEANUP
1.2	06/23/05	REVISED CAPACITOR REF DESIGNATIONS TO AS-BUILT SPECIFIED MEMORY CHIP ACCESS TIMES

- NOTES:
- 1: ALL RESISTORS IN OHMS, 1/4W 5%
 - 2: ALL CAPACITORS IN MICROFARADS
ALL POLAR CAPACITORS TANTALUM, 25V 10%
ALL NON-POLAR CAPACITORS CERAMIC, 50V 10%
 - 3: ALL MEMORY DEVICES (RAMS AND EPROMS) 70ns Tacc

Title		
D16 Main Memory and Bus Terminator Module		
Size	Document Number	Rev
B	DE000003	1.2
Date:	Thursday, June 23, 2005	Sheet 2 of 2